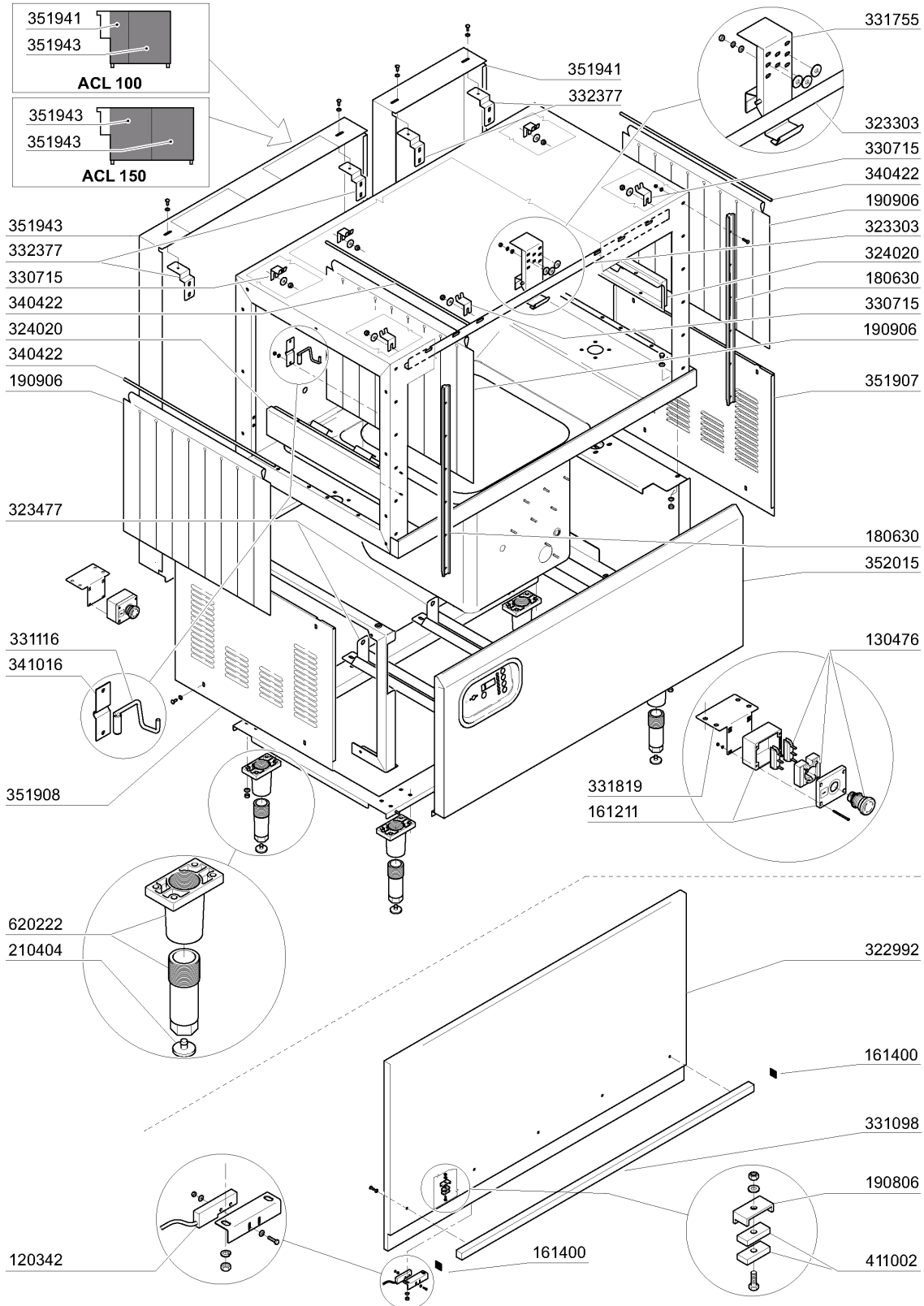
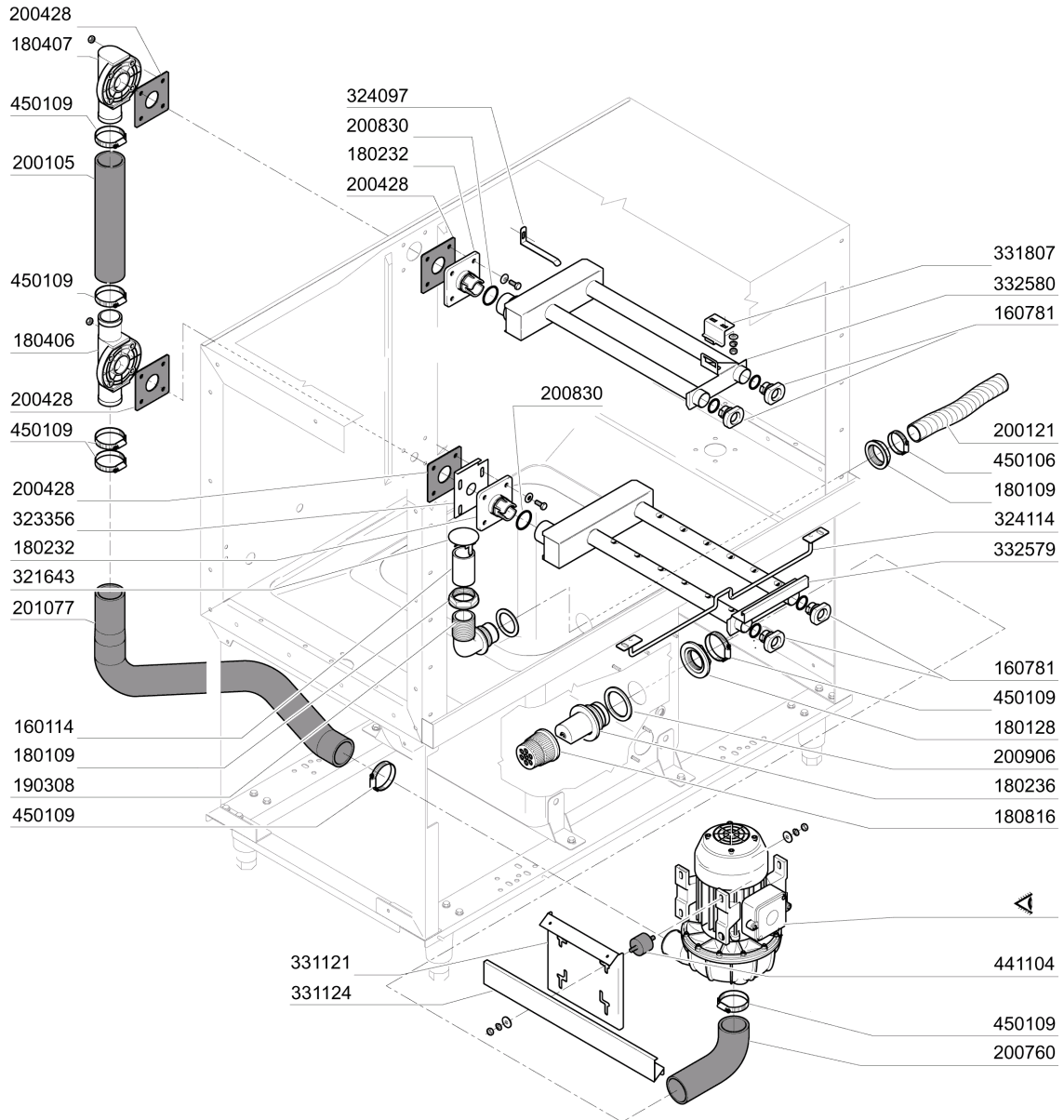


2 - Hood



CODE	DESCRIPTION
120342	DOR MAGNETIC SWITCH
130476	ROTATIVE EMERGENCY SWITCH
161211	BOX
161400	PLUG
180630	DOUBLE SKINNED DOOR RUNNER -AC
190806	MAGNET HOUSING
190906	CURTAIN IN/OUT 620X480
210404	BLACK RUBBER FOOT S90 NE SE
322992	DOOR AC-ACR 1300MM
323303	BRACKET FOR DOOR 1300
323477	TRAVERSA SOST.VASCHE AC/ACR
324020	PANEL
330715	UPPER BRACKET CURTAIN SNL-SE
331098	DOOR HANDLE 1300 ACL
331116	DOOR SECURITY HOOK
331755	HOOK FOR DOOR SUPPORT
331819	BRACKET FOR EMERGENCY PUSH BUT
332377	SQUADR.AGG.PANN.POST.AC/R/2001
340422	SHAFT FOR CURTAIN AC-ACR
341016	BRACKET FOR DOOR SECURITY HOOK
351907	PANN.LAT.LE SX AC COIBENTATE
351908	PANN.LAT.LE DX AC COIBENTATE
351941	BACK PANEL 400
351943	BACK PANEL 900
352015	FRONT PANEL
411002	PERMANENT MAGNET 24X12
620222	COMPLETE ALUMINIUM LEGS

### 3 - Wash Column

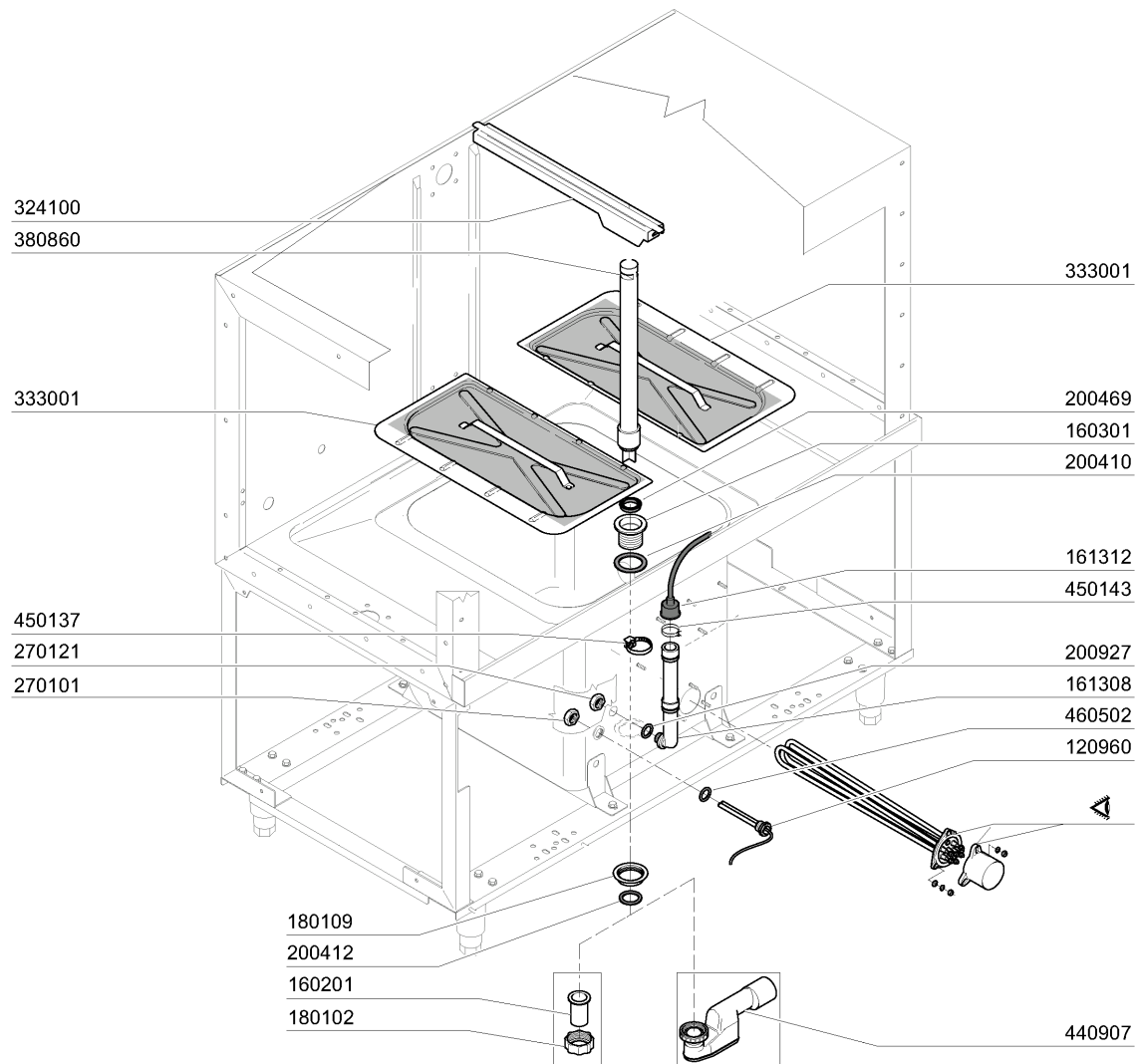


M.G. 11/07

### 3 - Wash Column

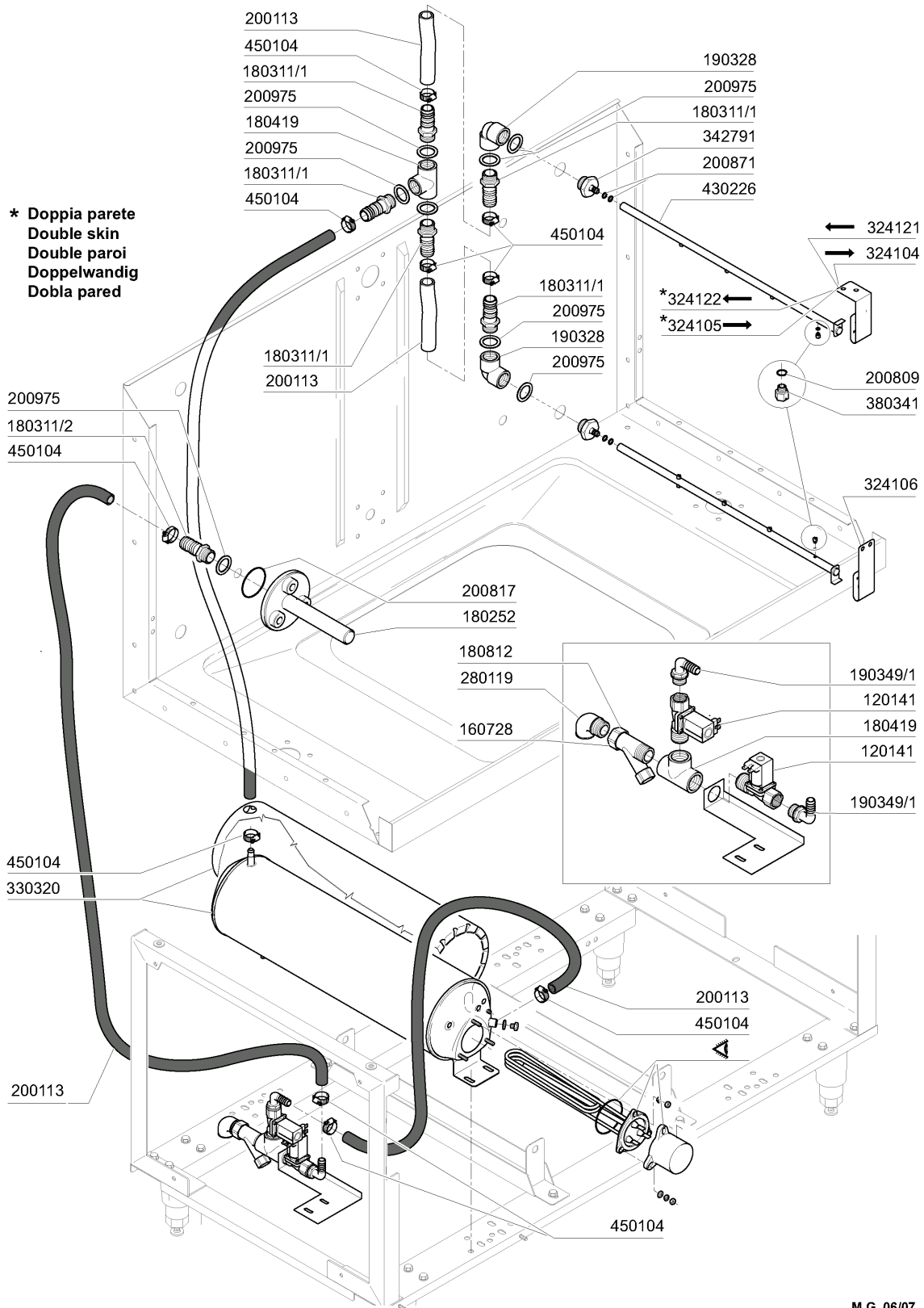
CODE	DESCRIPTION
160114	ADJUST.OVERFLOW-PIPE/TANKS S3Ø
160781	PLUG FOR COLLECTOR NEW AC
180109	LOCK NUT 1 1/2"
180128	RING NUT 65,4 C140 C85
180232	WASH ARM FLANGE SNL
180236	PUMP SUCTION FOR AC-ACR-C155
180406	T-CONNECTOR F. WASHING S90-SNL
180407	ELBOW S90 S N L
180816	STRAINER OF INLET PUMP AC-ACR
190308	OVERFLOW CONNECTOR
200105	RUBBER HOSE 50X60
200121	RUBBER HOSE 45X55
200428	GASKET 100X100X3 NEOTEN
200760	SUCTION HOSE FOR ACR
200830	O-RING 37,3X44,5X3,6
200906	GASKET D.92X66X2
201077	DELIVERY HOSE
321643	SUPPORT
323356	REGULAT. LOWER ARM BRACKET AC
324097	BRACKET
324114	SUPPORT
331121	FIXING PLATE FOR PUMP ACR
331124	BRACKET
331807	BRACKET
332579	LEFT WASH ARM 1300 ACS
332580	RIGHT WASH ARM 1300 ACS
441104	VIBRATION-DAMPING FEET FOR ACR
450106	CLAMP FE ZN 32-44 H=12,2
450109	CLAMP 50-65

## 4 - Wash tank



#### 4 - Wash tank

CODE	DESCRIPTION
120960	PROBE C-G
160201	ELBOW F.TANK INLET MOPLN
160301	DRAIN OUTLET 1"1/2 C-S-N
161308	AIR CHAMBER C95-155
161312	HOSE FOR PRESSURE SWITCH C95-1
180102	DRAIN PIPE NUT 1"1/2 F45-55
180109	LOCK NUT 1 1/2"
200410	DRAIN OUTL.WASH.1 1/2"65X47X2
200412	GASKET DRAIN 11/2" 45X33X3
200469	STAND PIPE O RING 45X35,5X7
200927	GASKET FOR AIR TRAP
270101	HEXAGON LOCK NUT 1/2"
270121	NUT FOR AIR TRAP
324100	SUPPORT
333001	STRAINER 900 ACS
380860	ACL WASH OVERFLOW PIPE
440907	SIPHON 1"1/2
450137	COLLAR CONNECTION WITH BASE 31
450143	CLAMP D.39,7 X 37,7
460502	GASKET 30X21X2



M.G. 06/07

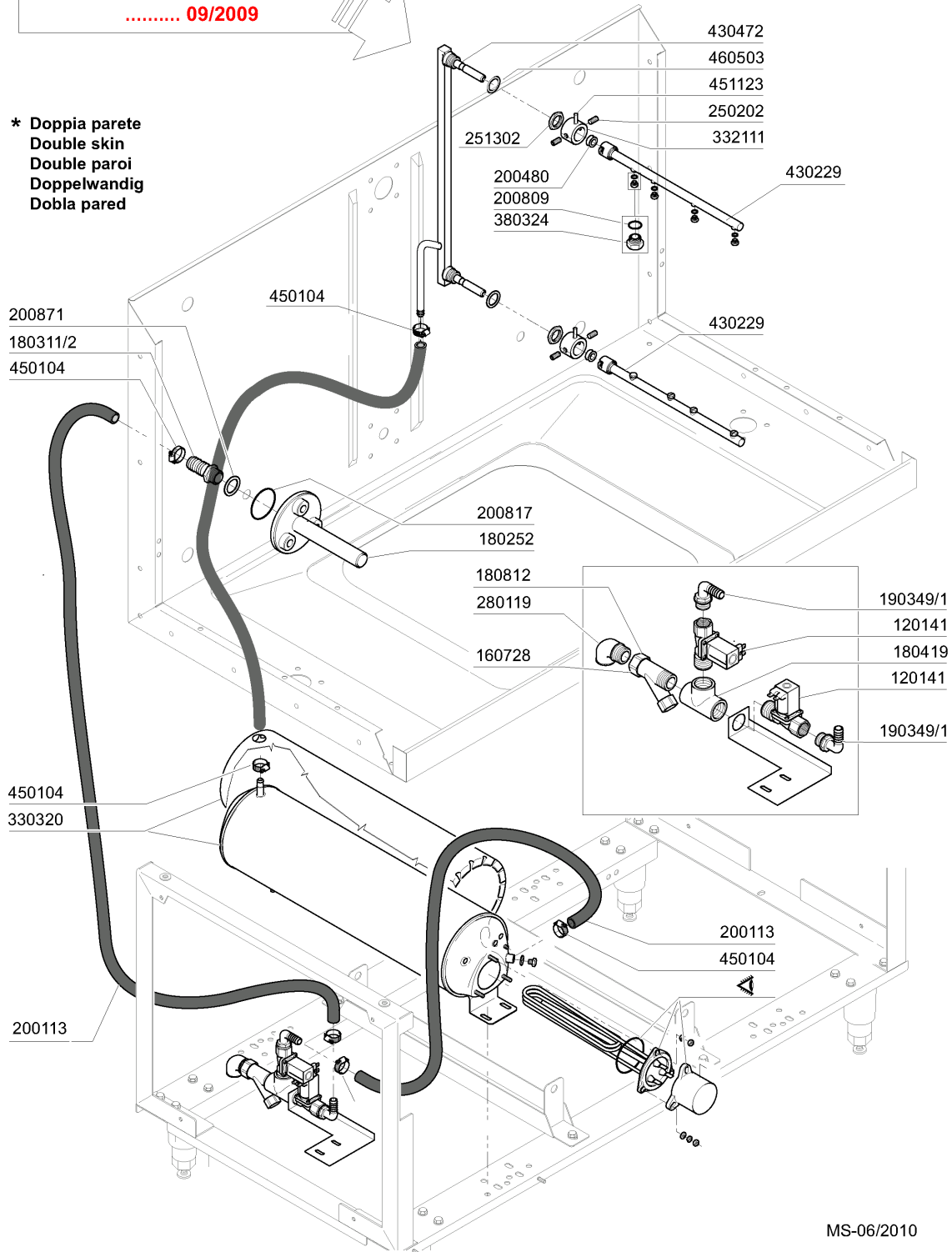
## 5 - Rinse

CODE	DESCRIPTION
120141	SOLE.N.VALVE METAL.328000 D.1/2
160728	PLUG 3/4"
180252	CARICO VASCA ACS REVERS.
180311/1	STRAIGHT NIPPLES G3/4 D=12MM
180311/2	STRAIGHT NIPPLES G1/4 D=12MM
180419	TEE 90° 3/4"
180812	FILTER
190328	DRAIN 3/4"
190349/1	NIPPLE G 1/2 D=12MM
200113	RUBBER HOSE 12 X 22
200809	OR GASKET 1,78X8,73X12,29
200817	O-RING 1,78X25,12X28,68-2100
200871	GASKET 7.65 X 1.78
280119	ELL MF 3/4"
324104	BRACKET
324105	BRACKET
324106	BRACKET
324121	BRACKET
324122	BRACKET
330320	INSULATED BOILER D.1 164X650 S
342791	SEDE ATTACCO BR.RISC.430226
380341	RINSE JETS 0,6 L/MIN
430226	RINSE ARM ACM
450104	CLAMP FE ZN H=12,5 15-24



Dalla Matricola - From serial number  
 A partir da la matr. - Ab Seriennr.  
 Despues la matr.  
 ..... 09/2009

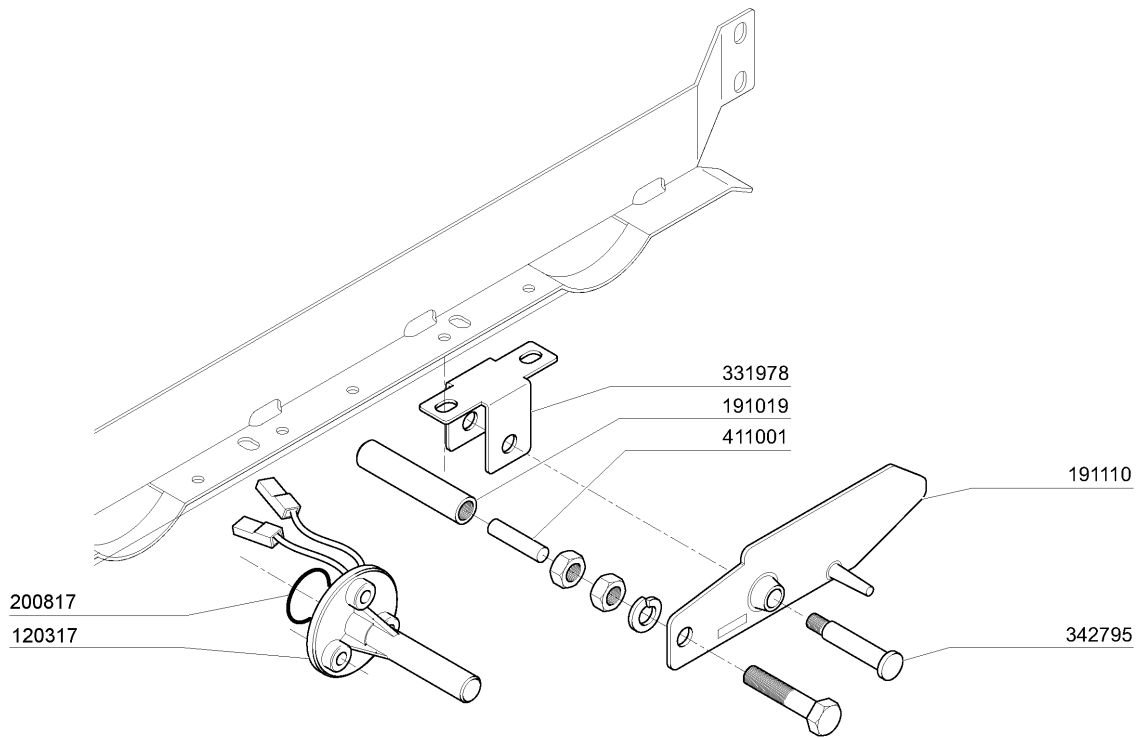
\* Doppia parete  
 Double skin  
 Double paroi  
 Doppelwandig  
 Doble pared



MS-06/2010

## 6 - Rinse

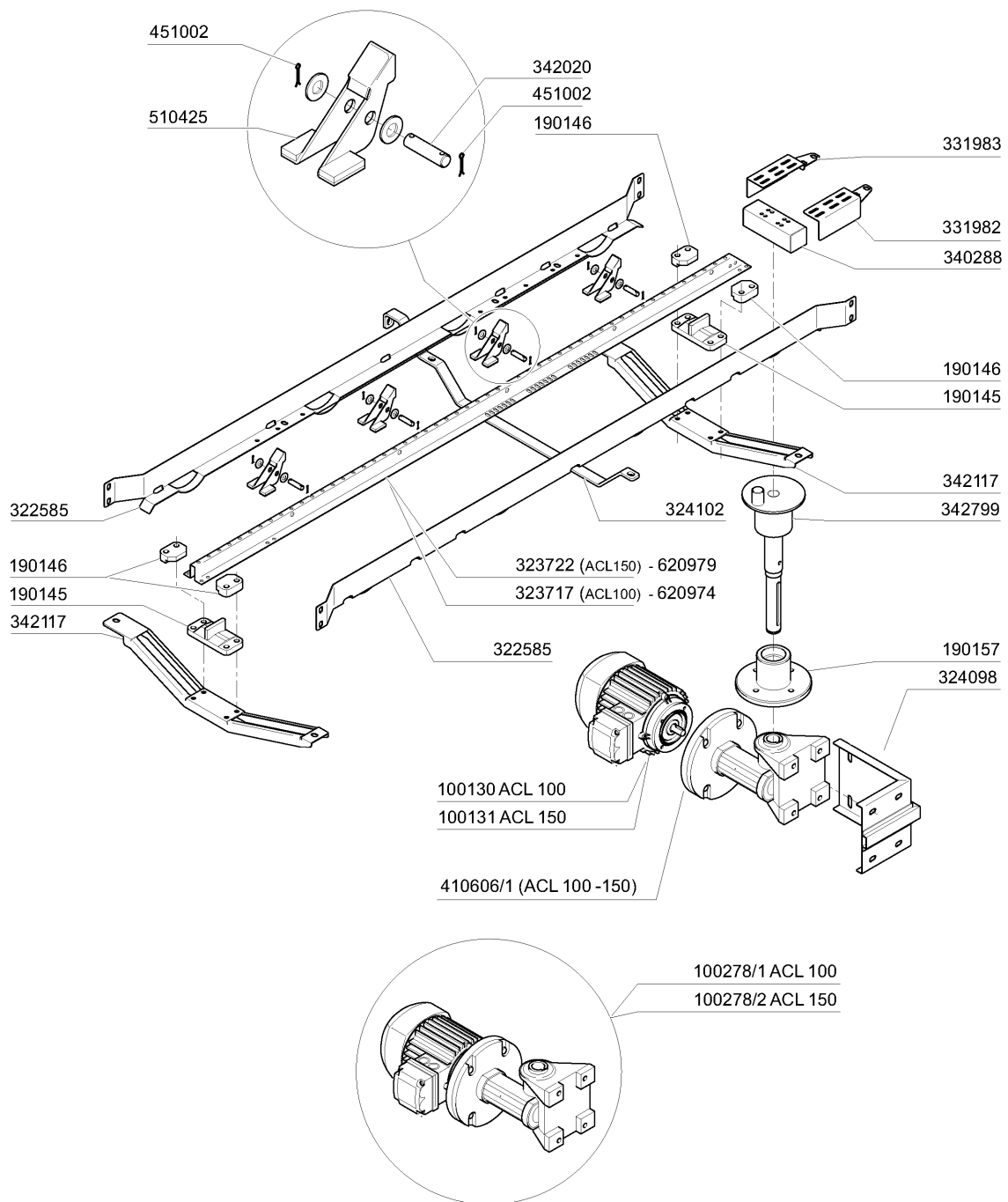
CODE	DESCRIPTION
120141	SOLE.N.VALVE METAL.328000 D.1/2
160728	PLUG 3/4"
180252	CARICO VASCA ACS REVERS.
180311/2	STRAIGHT NIPPLES G1/4 D=12MM
180419	TEE 90° 3/4"
180812	FILTER
190349/1	NIPPLE G 1/2 D=12MM
200113	RUBBER HOSE 12 X 22
200480	GASKET F. RINSE CONNECT.
200809	OR GASKET 1,78X8,73X12,29
200817	O-RING 1,78X25,12X28,68-2100
200871	GASKET 7.65 X 1.78
250202	STAINL.ST GRUB 5X8 UNI 5927
251302	S/S LOCK NUT 3/4" AC-ACR
280119	ELL MF 3/4"
330320	INSULATED BOILER D.1 164X650 S
332111	BUSH
380324	RINSE JETS 52,5 80° OV1/8"
430229	RINSE ARM
430472	RINSE COLUMN
450104	CLAMP FE ZN H=12,5 15-24
451123	ELASTIC PIN 4X16
460503	SEALING WASHER 38X27X2(3/4)



## 7 - Economiser

<b>CODE</b>	<b>DESCRIPTION</b>
120317	RINSE MICROSWITCH
191019	MAGNET HOUSING S90 MOPL.-S.N.L
191110	ECONOMISER LEVER
200817	O-RING 1,78X25,12X28,68-2100
331978	BRACKET ECONOMISER LEVER AC
342795	PIN
411001	PERMANENT MAGNET 8X40

# 8 - Drive unit



M.G. 11/07

## 8 - Drive unit

CODE	DESCRIPTION
100130	DRIVE MOTOR 6P 0.18KW
100131	DRIVE MOTOR 4/6P 400V
100278/1	DRIVE MOTOR 1 SPEED
100278/2	DRIVE MOTOR 2 SPEED
190145	SUPPORT F.PAWL BAR GUIDE AC
190146	CLAMPING PIECES AC
190157	DRIVE SUPPORT
322585	GUIDE 1300
323717	GUIDE 1300
323722	GUIDE 1800
324098	SUPPORT
324102	SPACER FLIGHT ACS 1300
331982	RIGHT COVER
331983	LEFT COVER
340288	CHANNEL F.DRIVE BEARING S3Ø-SE
342020	PIN
342117	SUPPORT
342799	ASSIEME ALB.TRAINO RID.BONF.
410606/1	RIDUTT.BONF. VF49L1V60P71B5
451002	COTTER PIN STAINL.ST. D2X12
510425	PAWL LOAD. AC/ACR
620974	GUIDA TRAINO ACS ECON DA 1300
620979	GUIDA TRAINO ACS ECON DA 1800

**1,1 KW 220-240 V / 380-415 V**      **100886 (50 Hz)**

630252  
630501  
632501 (50Hz)  
632502 (60Hz)

630411  
630138

630254  
630330

**0,35 KW 220-240 V / 380-415 V**      **100647 (50 Hz)**  
**100669 (60 Hz)**

631675 (50Hz)  
631705 (60Hz)  
630416  
630125

630235  
630511

220/240 V				380/415 V					
Pompa Pompe Pump Pumpe Bomba		Teleruttore Contacteur Contactor Schalterschütz Contactor		Magnetotermici Magneto-termique Termo-magnetic Magnetischer schalter Magneto-termico		Teleruttore Contacteur Contactor Schalterschütz Contactor		Magnetotermici Magneto-termique Termo-magnetic Magnetischer schalter Magneto-termico	
Hp	Kw	A	cod.	A	cod.	A	cod.	A	cod.
0,46	0,35	9	120428	1 + 1,6	120821	9	120428	0,4 + 0,63	120830
2	1,1	9	120468	4 + 6	120824	9	120428	2,5 + 4	120823

290105  
460502  
330322

290105  
460502  
161113

290105  
460502  
330339

290121  
460528  
330320

450104  
280525

460502  
290105  
161102

400V

8 Kw	110343
9 Kw	110362
10 Kw	110388
12,5 Kw	110367
14 Kw	110386

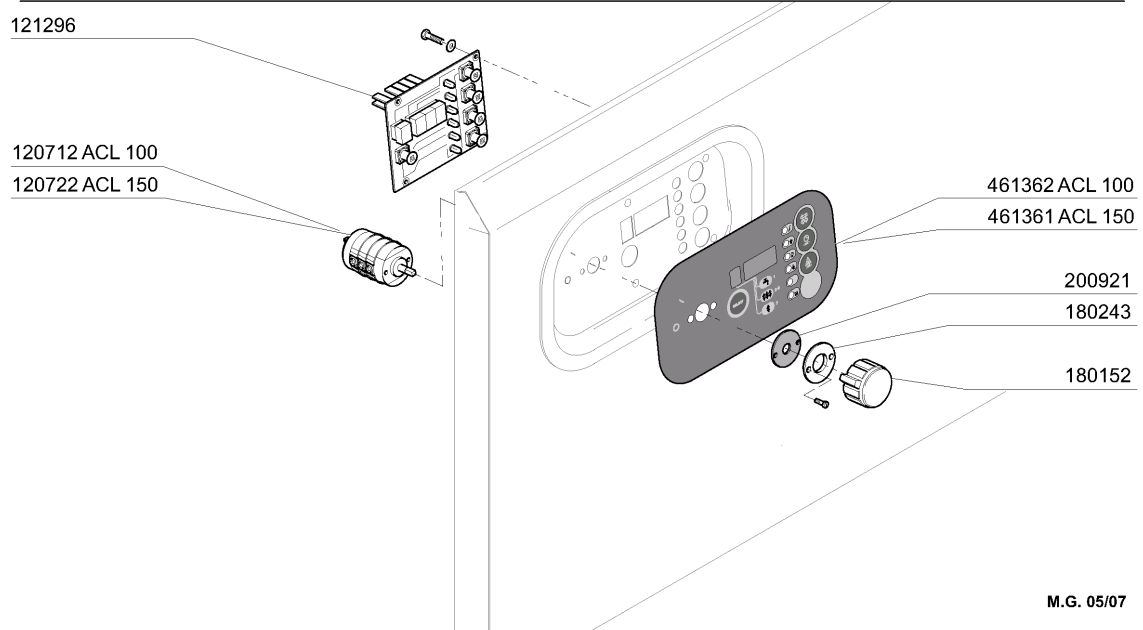
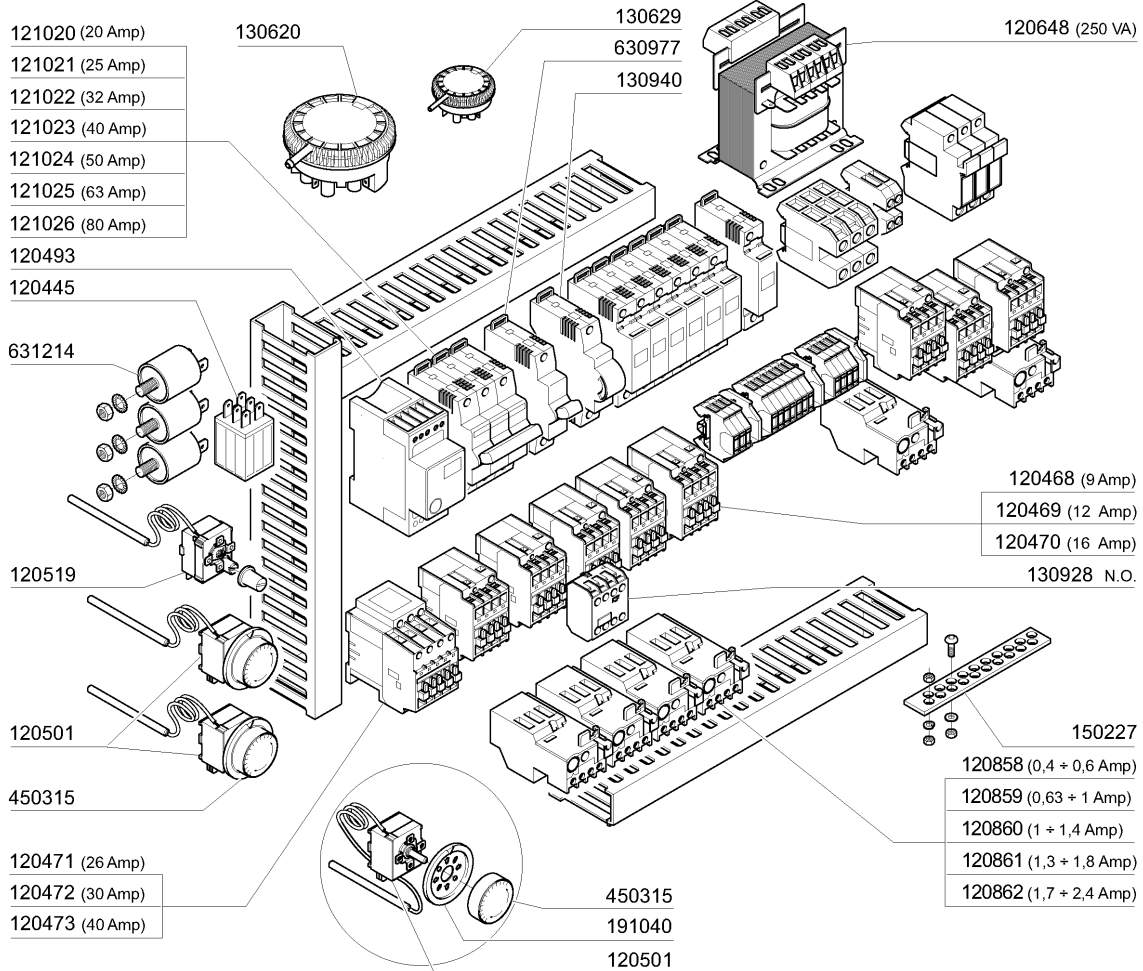
<b>Tipo porta Type porte Door type Türtyp Modelo puerta</b>	<b>ACL 100/150 5 kg (2x5Kg)</b>	
<b>Cod.</b>	<b>391331</b>	

9 - Pump

CODE	DESCRIPTION
100647	PUMP HP 0,20 220/240/3 4226
100669	PUMP HP 0,12 220/380 60HZ C16
100886	PUMP 1.5HP 230-400V/3/50HZ
110343	HEAT.ELEM. 8000W 220/380V
110362	HEAT.ELEMENT 9000W 220/380V
110367	HEAT.ELEMENT 12500W 230/400V
110386	HEAT.ELEMENT14KW 230/400V
110388	HEAT.ELEMENT 10000W 230/400V
120428	CONTACTOR 9A 24V 50HZ
120468	CONTACTOR ABB 9A 24V 50/60HZ
120821	OVERLOAD RELAY 1/1,6A
120823	OVERLOAD RELAY 2.5/4 A
120824	OVERLOAD RELAY 4/6 A
120830	OVERLOAD RELAY 0,40 - 0,63 A
161102	ELEMENT COVER MOPL.
161113	ELMENT COVER BLACK
190651	BUSH
280525	NIPPLE
290105	BRASS-TE-PLUG 1/2"
290121	BRASS PLUG 1/8"
330320	INSULATED BOILER D.1 164X650 S
330322	INSULATED BOILER D.230 N/S
330339	BOILER D.220X640 F.TWO HEAT.EL
331430	BRACKET FOR DOOR SPRING
391331	SPRING ASSEMBLY KG. 5 MM 40
450104	CLAMP FE ZN H=12,5 15-24
460502	GASKET 30X21X2
460528	GASKET 15X10X2 FOR RINSE NIPPE
630125	VOLUTE 0,12/0,3(2212-29)
630138	VOLUTE FOR PUMP LC
630235	PUMP COVER 0,12/0,3 2212-19
630252	BACK PLATE PUMP LC
630254	FAN HOUSING FOR PUMP 100801
630330	PUMP 100801 FAN IMPELLOR
630411	O-RING PUMP FI HP 2-2,7
630416	OR FOR VOLUTE 0,12/0,3
630501	SEAL FOR PUMP HP 2-3-3,2
630511	PUMP SEAL HP 0,10 82
631675	ST/ST PUMP IMPELLER 0,2HP 2226
631705	IMPELLER 60HZ FOR PUMP 100669
632501	PUMP IMPELLER 1HP 50HZ-5223
632502	PUMP IMPELLER 1HP 60HZ-5223



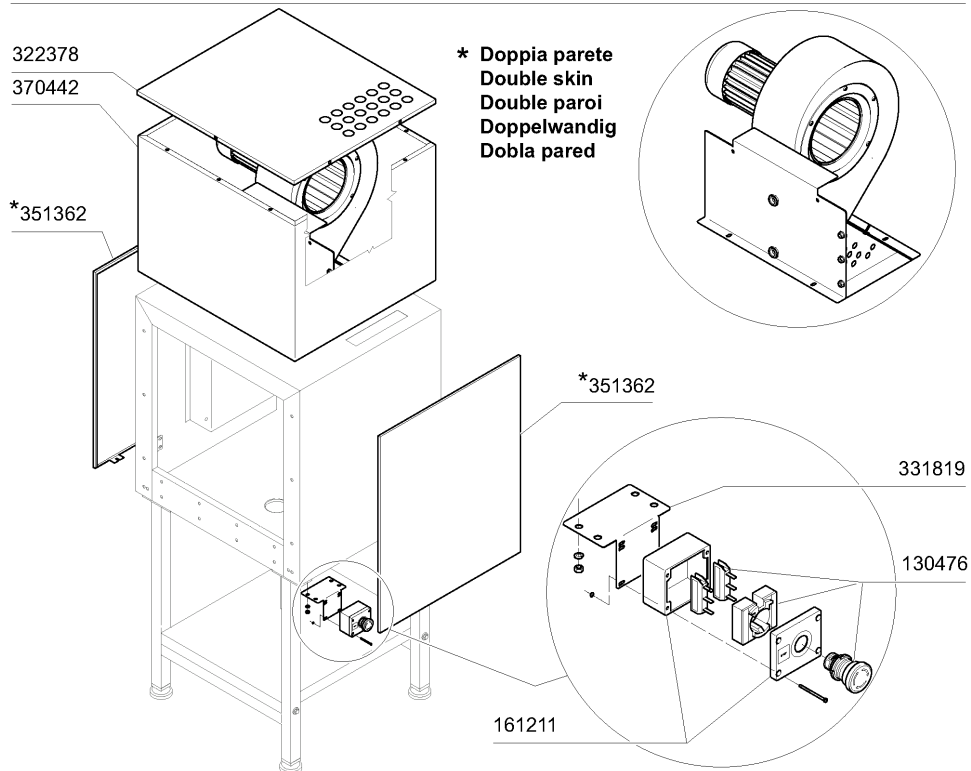
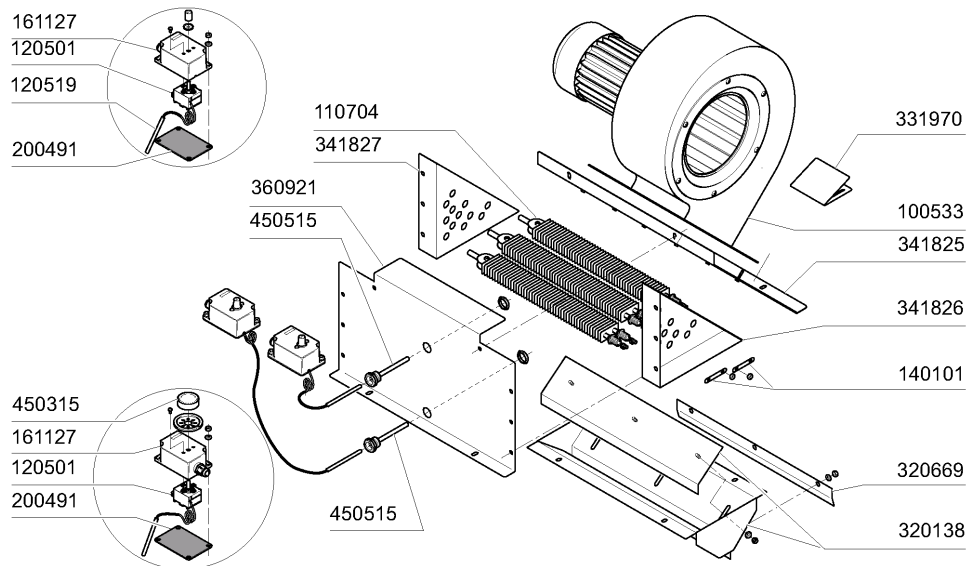
## 10 - Control box



M.G. 05/07

## 10 - Control box

CODE	DESCRIPTION
120445	AUXILIARY RELAY S.B2/3 24V
120468	CONTACTOR ABB 9A 24V 50/60HZ
120469	CONTACTOR ABB 12A 24V 50/60HZ
120470	CONTACTOR ABB 16A 24V 50/60HZ
120471	CONTACTOR ABB 26A 24V 50/60HZ
120472	CONTACTOR ABB 24V 50/60HZ
120473	CONTACTOR ABB 24V 50/60HZ
120493	RELAY 130180240000
120501	THERMOSTAT 30/90ØC
120519	SECURITY THERMOSTAT 95-125Ø
120648	TRANSFORMER 250VA225-240-380-4
120712	2-POLES SWITCH 16AMP
120722	6 POLE SWITVH 2 POSITIONS
120858	OVERLOAD RELAY ABB 0,4-0,63A
120859	OVERLOAD RELAY ABB 0,63-1A
120860	OVERLOAD RELAY ABB 1-1,4A
120861	RELAY 1,3-1,8 A
120862	OVERLOAD RELAY ABB 1,7-2,4A
121020	CIRCUIT BREAKER 20A
121021	CIRCUIT BREAKER 25A
121022	CIRCUIT BREAKER 32A
121023	CIRCUIT BREAKER 40A
121024	CIRCUIT BREAKER 50A
121025	CIRCUIT BREAKER 63A
121026	MAGN.SWITCH 80A
121296	ELECTRONIC CONTROL PANEL
130620	PRESSURE SWITCH 3 LEVEL 50-30/
130629	PRESSURE SWITCH 1L30-12
130928	CONTACT ABB 4NO
130940	AUXILIARY CONTACT ABB
150227	BRACKET
180152	KNOB
180243	FLANGE
191040	FRAME F.THERMOSTAT KNOB
200921	GASKET
450315	KNOB F. THERMOSTAT 90Ø
461361	PLATE ACS101-242 DIGIT
461362	FRONT PANEL ACS91 DIGIT
630977	COIL FOR CIRCUIT BREAKER 24V
631214	ANTI-NOISE FILTER 4011135007 3

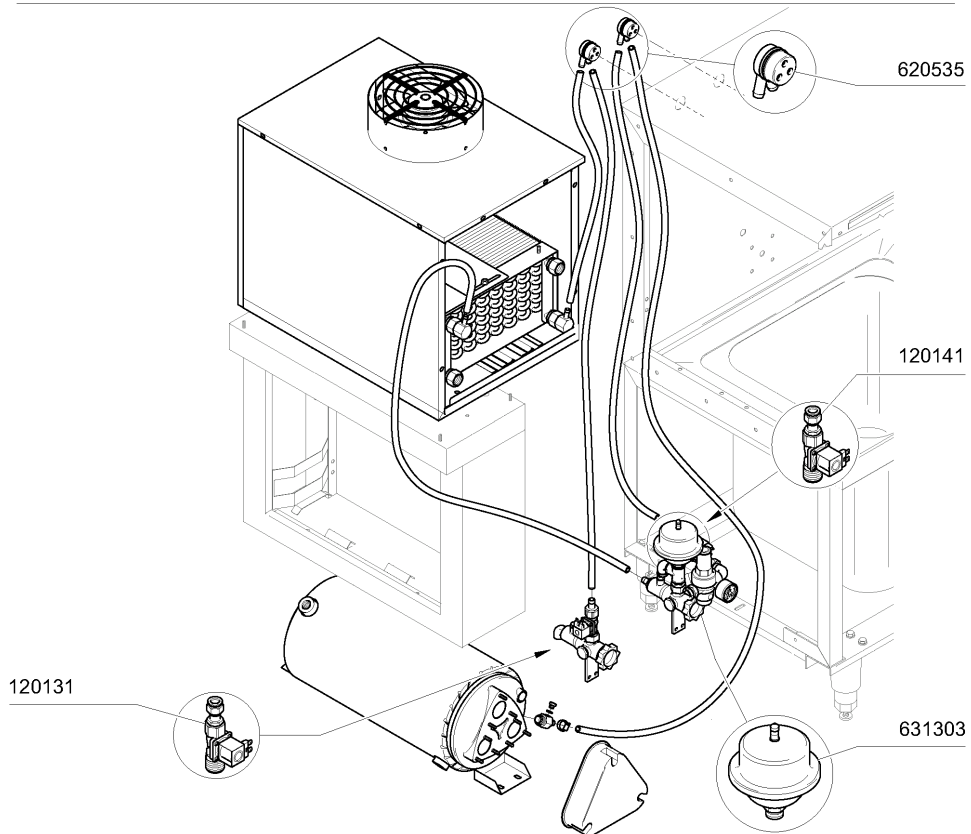
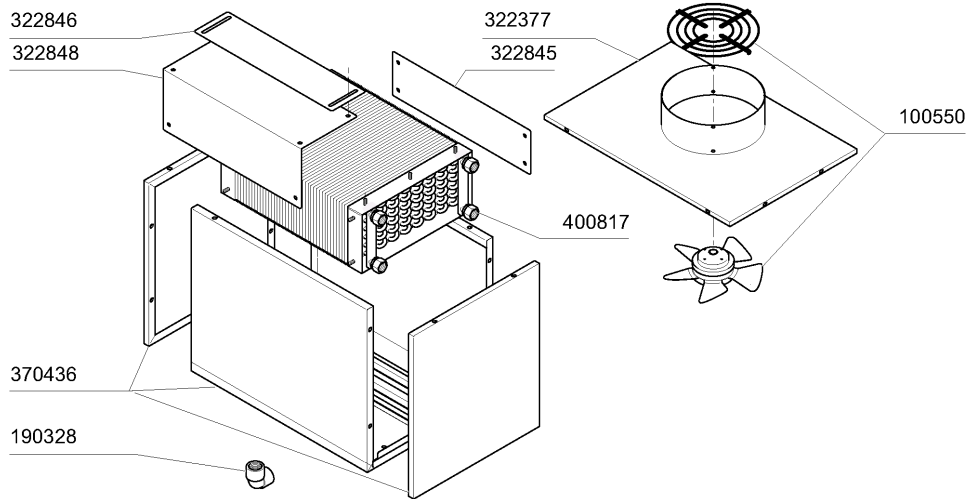


04-2009 M.G.

## 11 - Blower Dryer

CODE	DESCRIPTION
100533	FAN HP 1 220-240-380-415V VRP2
110704	HEAT.ELEMENT/DRYING 1000W 220V
120501	THERMOSTAT 30/90ØC
120519	SECURITY THERMOSTAT 95-125Ø
130476	ROTATIVE EMERGENCY SWITCH
140101	BRASS CONNECT. PLATE HEAT.ELEM
161127	BOX FOR THERMOSTAT
161211	BOX
200491	BACK GASKET OF THERMOSTAT BOX
320138	DEFLECTOR F. DRYER
320669	FIXING PLATE
322378	COVER
331819	BRACKET FOR EMERGENCY PUSH BUT
331970	FAN SUPPORT
341825	DRYER FAN SUPPORT
341826	RIGHT SUPPORT
341827	LEFT SUPPORT
351362	INSULATED PANEL
360921	BACK PANEL FOR DRYER 3-4,5KW
370442	HOOD
450315	KNOB F. THERMOSTAT 90Ø
450515	STAINL.ST.SHIELD FOR 1 THERMOS

## 12 - Heat recovery unit compact



04 - 2009 M.G.

## 12 - Heat recovery unit compact

<b>CODE</b>	<b>DESCRIPTION</b>
100550	FAN FOR HEAT RECOVERY UNIT
120131	SOLEN. L182Q31-ZB10A 1/2"24V
120141	SOLEN.VALVE METAL.328000 D.1/2
190328	DRAIN 3/4"
322377	COVER
322845	COVER
322846	COVER
322848	COVER
370436	HOOD
400817	BATTERY FOR STEAM CONDENSER +
620535	VACUUM BREAKER
631303	HYDRAULIC AIR VESSEL FOR HEAT